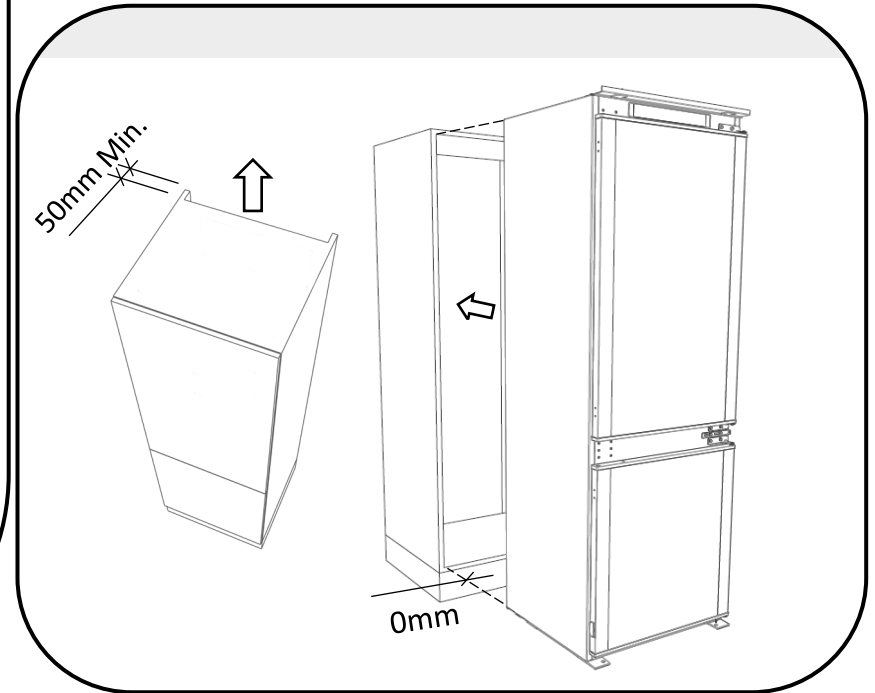
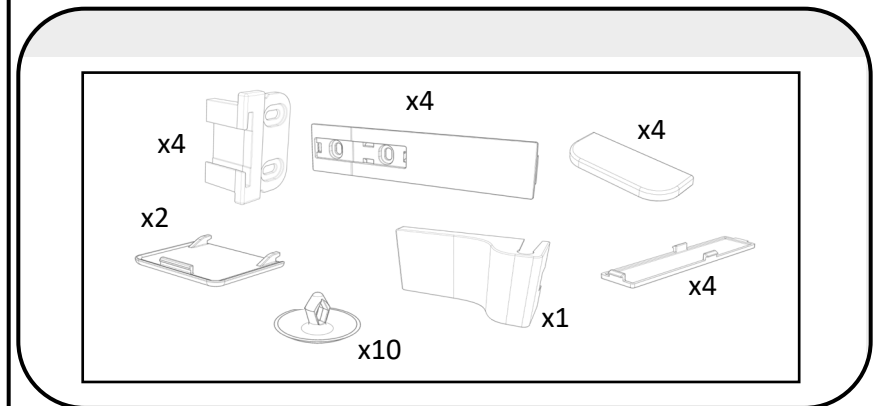
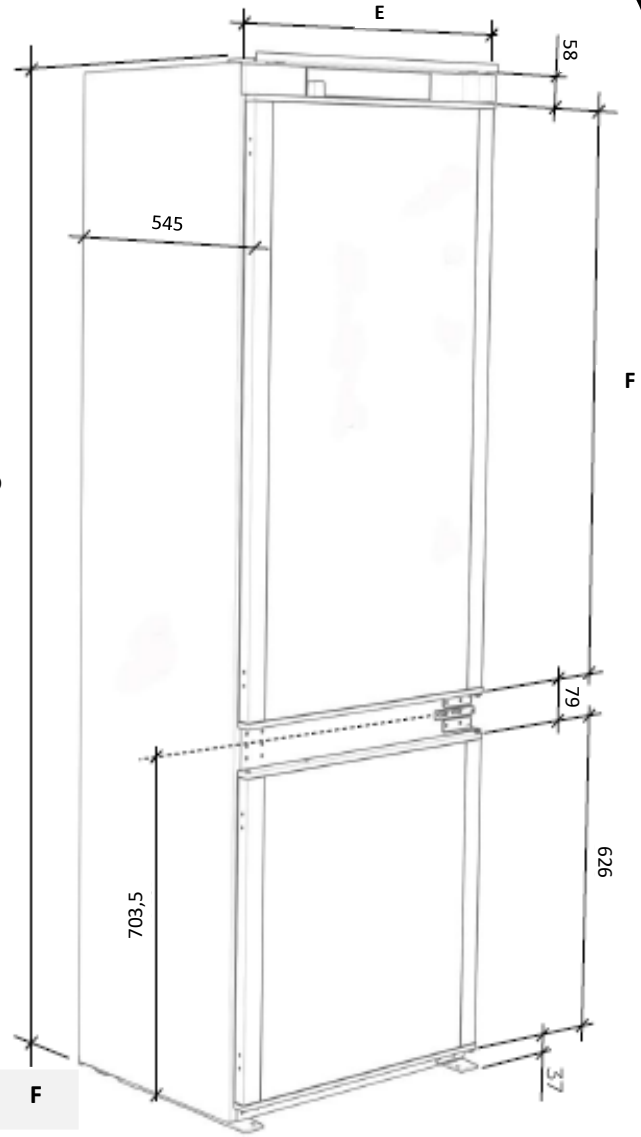
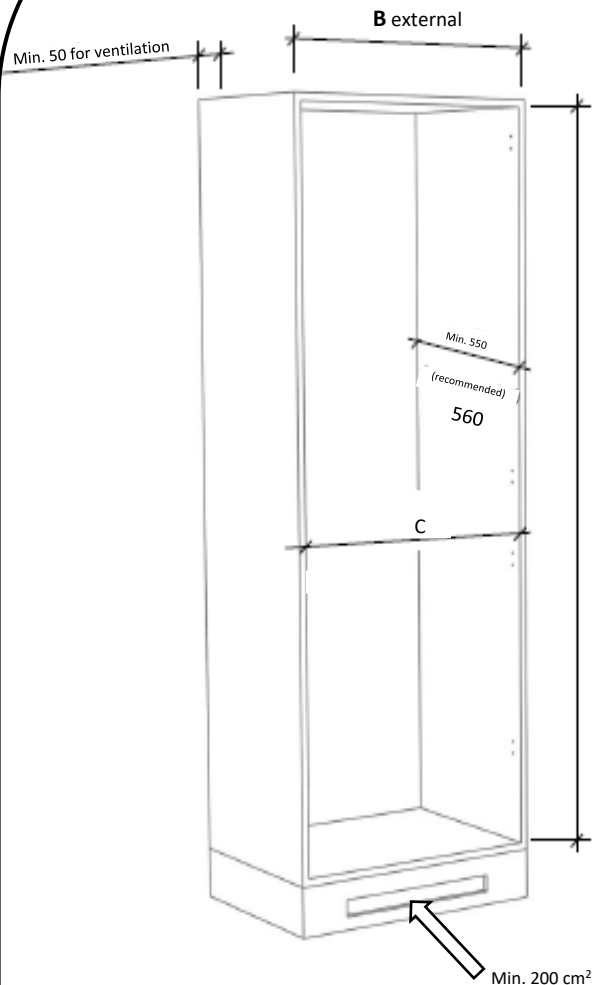


Installation



	A _{-0/+8}	B	C _{0/+8}	D	E	F
CB 18M	1775	600	560	1772	540	967
CB 20 M	1938	600	560	1935	540	1130
CB 70	1938	750	710	1935	690	1130

